



## MS1690 Focus™

Focus™ provides users with increased throughput for virtually all 1D and 2D bar code reading applications - including poorly printed or damaged bar codes - by incorporating high resolution imaging, FirstFlash® scanning technology, and true contact reading into an affordable solution.

Metrologic's Focus is a high performance hand-held area imager. This omnidirectional scanner decodes all of today's standard bar codes including 1D, RSS, PDF417, microPDF, EAN/UCC Composite, Matrix and Postal Codes regardless of orientation. Where image capture is concerned, Focus combines a high-resolution CMOS sensor with an extremely powerful processor to provide a wide array of outputs at high rates of speed.

For years, Metrologic has been designing and manufacturing fixed position industrial imaging

systems that are used by some of the world's leading parcel handling companies, distribution centers, and postal services. That core technology combined with optical design expertise produced the Focus, a hand-held device built to endure today's toughest work environments, packed with the most complete set of features, ease of use, and stylish, modern design.

Focus can be utilized in a variety of applications such as; retail, healthcare, shipping/receiving and supply chain management. Its laser like reading of 1D codes and omni-directional reading of 2D codes combined with a competitive price make it the obvious solution to a broad array of applications. With its arsenal of features, Focus is the all-in-one scanner.

[www.metrologic.com/MS1690](http://www.metrologic.com/MS1690)

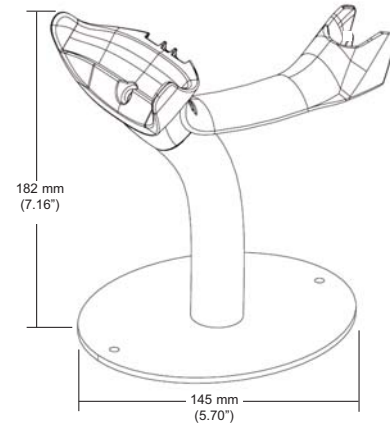
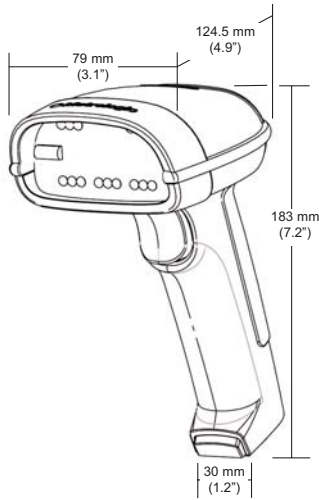


### FEATURES

- FirstFlash®
- Omnidirectional scanning
- Linear illumination
- CodeSelect™
- Illumination forward design

### BENEFITS

- Increases productivity in all applications by scanning virtually all standard bar codes
- Eliminates need to orientate device to a bar code
- Facilitates laser-like menu scanning with an area imager
- Scans up to 7 bar codes in a single flash and outputs data in any predetermined order
- Ability to scan at contact, consistent scan performance throughout DOF, no dead zone



## OPERATIONAL

Light Source	LED 645 nm ± 7.5 nm
Decode Capability	Autodiscriminates all standard 1-D, RSS, PDF417, microPDF, MaxiCode, Data Matrix, QR Code, UCC, EAN Composites, Postals, Aztec
System Interfaces	PC Keyboard Wedge, RS232, Stand Alone Keyboard, USB, IBM
Beeper Operation	7 tones or no beep
Indicators (LED)	Blue=unit powered, ready to scan; White=good read; Yellow=in stand

## MECHANICAL

Height	183 mm (7.2")
Depth	124.5 mm (4.9")
Width	Handle - 30 mm (1.2"); Head - 79 mm (3.1")
Weight	225 g (8 oz)
Termination	10 pin modular RJ45
Cable	Standard 2.7 m (9') coiled; optional 2.1 m (7') straight

## ELECTRICAL

Input Voltage	5 V
Power - Operating	2 W (peak)
Power - Standby	800 mW
Current - Operating	400 mA (peak)
Current - Standby	160 mA
DC Transformers	5 V @ 650 mA
EMC	FCC Class A, IEC60825-1 LED Safety
ESD Protection	Functional after 100 15kV discharges
LED Class	Class 1; IEC60825-1:1993/A1:1997 + A2:2001 Class 1; EN60825-1:1994/A11:1996 + A2:2001

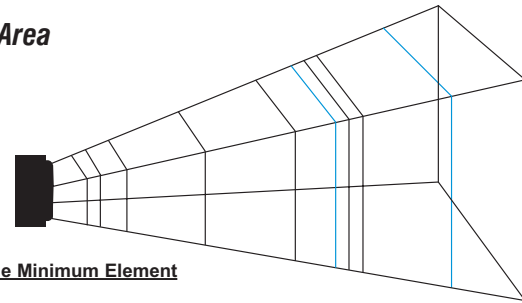
## ENVIRONMENTAL

Operating Temperature	0°C to 40°C (32°F to 104°F)
Storage Temperature	-40°C to 60°C (-40°F to 140°F)
Humidity	0% to 95% relative humidity, non-condensing
Light Levels	Up to 100,000 Lux (9,290 footcandles)
Shock	Designed to withstand 1.5 m (5') drops
Contaminants	Sealed to resist airborne particulate contaminants

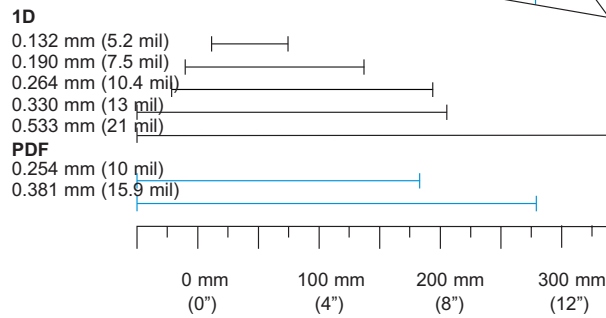
## SCAN PERFORMANCE

Depth of Field (programmable)	0 mm - 254 mm (0" - 10") for 0.33 mm (13 mil) bar codes
Field of View	49 mm W x 19 mm H (1.9" W x 0.8" H) @ 20 mm (0.8"); 264 mm W x 106 mm H (10.4" W x 4.2" H) @ 280 mm (11")
Minimum element width, 1D	0.127 mm (5 mil)
Minimum element width, 2D	0.254 mm (10 mil)
Resolution	1280 x 512
Print Contrast	20% minimum reflectance difference
Pitch, Skew	75°, 75°

## Scan Area



## Bar Code Minimum Element



Product Colors Available



Dark Grey

MS1690 is available in a variety of other colors with minimum quantity purchase



Revision: All



Sunrise 2005 Compliant

ISO 9001:2000

Specifications subject to change without notice. Printed U.S.A. Copyright January 2008 Metrologic, All rights reserved.



Metrologic Instruments, Inc. | **Worldwide Headquarters**  
 90 Coles Road | Blackwood, NJ 08012-4683 | info@metrologic.com  
 Telephone 856-228-8100 | Fax 856-228-6673 | www.metrologic.com

**Asian Headquarters**  
 Tel. 65.6842.7155  
 info@sg.metrologic.com

**European Headquarters**  
 Tel. 49.89.89019.0  
 info@eu.metrologic.com

**The Americas Headquarters**  
 Tel. 1.800.ID.METRO  
 info@us.metrologic.com



DS1690